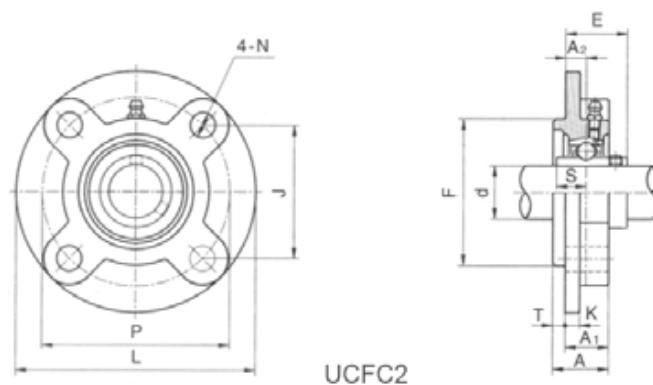


UCFL2 Series

Part No.	Basic Dimensions (mm)										N.W. (kg)
	d	H	J	L	A2	A1	A	N	E	S	
UCFL205G	25	130	99	68	16	13	27	16	35.8	14.3	0.64
UCFL206G	30	148	117	80	18	13	31	16	40.2	15.9	0.93
UCFL207G	35	161	130	90	19	15	34	16	44.4	17.5	1.20
UCFL208G	40	175	144	100	21	15	36	16	51.2	19.0	1.59
UCFL209G	45	188	148	108	22	16	38	19	52.2	19.0	1.84
UCFL210G	50	197	157	115	22	16	40	19	54.6	19.0	2.15
UCFL211G	55	224	184	130	25	18	43	19	58.4	22.2	3.10
UCFL212G	60	250	202	140	29	18	48	23	68.7	25.4	3.99

UCFC2 Series



Part No.	Basic Dimensions (mm)												N.W. (kg)	
	d	L	P	J	A2	A1	A	T	K	F	N	E		S
UCFC205G	25	115	90	63.6	10	21	27	6	7	70	12	29.8	14.3	0.95
UCFC206G	30	125	100	70.7	10	23	31	8	8	80	12	32.2	15.9	1.25
UCFC207G	35	135	110	77.8	11	26	34	8	9	90	14	36.4	17.5	1.67
UCFC208G	40	145	120	84.8	11	26	36	10	9	100	14	41.2	19.0	2.05
UCFC209G	45	160	132	93.3	10	26	38	12	14	105	16	40.2	19.0	2.63
UCFC210G	50	165	138	97.6	10	28	40	12	14	110	16	42.6	19.0	2.93
UCFC211G	55	185	150	106.1	13	31	43	12	15	125	19	46.4	22.2	4.17
UCFC212G	60	195	160	113.1	17	36	48	12	15	135	19	56.7	25.4	5.10